

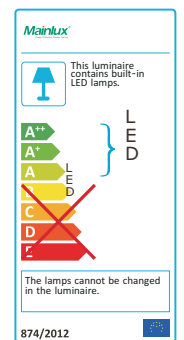


LED street light

Features

- ☆ system efficacy up to 110 lm/W
- ☆ extended system service lifetime up to 80,000hrs (L85/B10)
- ☆ outstanding colour rendering performance (Ra = 75/80/85/90) available
- ☆ type I,type II ,type III and type IV light distribution available,short/median/long light distribution available
- ☆ temperature monitoring protecting LED from thermal overload
- ☆ implemented with supplementary luminaire controller in mast
- ☆ with integrated & programmable timer for luminous flux reduction
- ☆ settable luminous flux for max lux operation &min lux operation
- ☆ digital interface (0–10V dimming) for integration into telemanagement system
- ☆controlling system from any distance without wires
- ☆ with adaptor 0–90° adjustable
- ☆ LED module and LED driver are replaceable by too-free
- ☆ design standard DIN13021
- ☆ beam angle: 155x70°
- ☆ housing of finish color: silver grey RAL7001 or light grey RAL7035 or grey aluminum RAL9007

Application



Benefits

- ☆ up to 80% energy consumption saved after choosing controlling system compared with HPS
- ☆ lower operation & maintenance cost, maintenance factor 0.8
- ☆ controlling system will make light more flexible,it can save more energy
- ☆ different light distribution will reduce light pollution
- ☆ excellent uniformity and glare reduction makes driver enjoy driving on the road, and improve pedestrian's safety

Specification

Item number	Photo	Power (W)	Luminous flux (lm)	Efficacy (lm/W)	Light source	CRI (Ra)	CCT(K)	Driver	Lifespan (L80/hrs)
MXST-02-30W		30	3360	112	cree	>75	5000	meanwell	80000
MXST-02-40W		40	4360	109	cree	>75	5000	meanwell	80000
MXST-02-50W		50	5600	112	cree	>75	5000	meanwell	80000
MXST-02-80W		80	8720	109	cree	>75	5000	meanwell	80000
MXST-02-100W		100	11000	110	cree	>75	5000	meanwell	80000
MXST-01-50W		50	5500	110	cree	>75	5000	meanwell	80000
MXST-01-100W		100	11300	110	cree	>75	5000	meanwell	80000
MXST-01-150W		150	16500	110	cree	>75	5000	meanwell	80000
MXST-01-200W		200	22000	110	cree	>75	5000	meanwell	80000
MXST-01-250W		250	27000	108	cree	>75	5000	meanwell	80000
MXST-01-300W		300	32700	109	cree	>75	5000	meanwell	80000
MXST-01-350W		350	38500	110	cree	>75	5000	meanwell	80000

housing finish color (silver grey RAL7001 or light grey RAL7035 or grey aluminum RAL9007) need to be confirmed before an order
 light distribution need to be confirmed before an order
 different Ra(75/80/85/90), CCT(4000-6500K) and lumen required need to contact sales representative separately
 based on the same CRI, the lumen between 4000-6500K is the same
 controlling and dimming system required need to contact your sales representative separately
 the specified luminous flux value corresponds to the gross luminous flux of LED@ 25 °C, this is only a minimum flux and not a maximum. Mainlux may ship products in flux higher than above specified by the item number without advance notice
 with a tolerance of ±7% on flux and power, ±0.005 on chromaticity (CCx, CCy) and ±2 on CRI.

Technical datasheet	
LED	cree xte S2/S3 LED
Colour consistency (SDCM)	4
Beam angle (°)	155X70
Symmetry	asymmetric distribution (type I, type II, type III type IV light distribution) short, medium, long light distribution
Integrated driver (Yes /No)	Yes
Surge voltage resistance	10KV 1.2/50 μs (IEC61000-4-5)
Power factor	>0.95
Dimmable	Yes(0-10V/dali)
Operation temperature	-35 ~ +50°C 10-90% RH
Storage environment	-40~ +55°C
On / off cycles (times)	50,000

Electrical connection	
System nominal voltage (V)	AC100-240 AC100-305 (127-431) (American only)
Frequency (Hz)	50/60Hz
THD	>15%

Approval	
Impact resistance rating inclosed system (IK)	09
Protection rating in closed system (IP)	66
Glow wire test	850°C
Insulation class	I
Certification	CE, RoHS ,TUV compliant

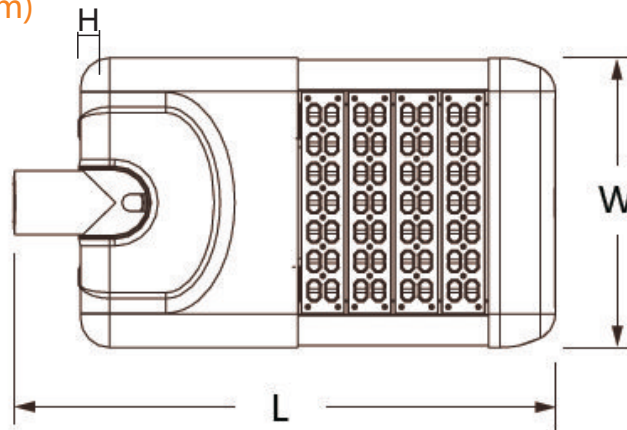
Mechanical properties	
Housing material	die-casting aluminum
Optical material	tempered glass / lens of PMMA
Colour of finish for housing	aluminum grey (RAL9007) / grey (RAL7035) silver grey RAL7001 or light grey RAL7035 or grey aluminum RAL9007
Cable	3(5) x 0.75mm
Mounting method	side-entry, post-top,on mast

Product & packaging information

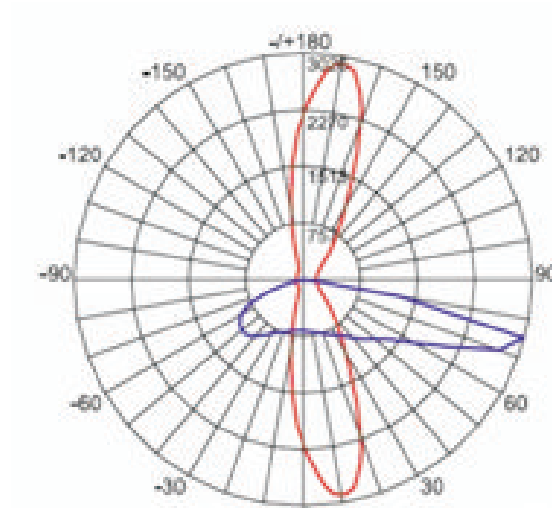
Item number	Item dimension (LxWxHmm)	Net weight (kg)	Packging information		
			pcs / carton	carton dimension (LxWxHmm)	gross weight (kg)
MXST-02-30W	480x202x100	3.95	1	570x270x170	4.80
MXST-02-40W	480x202x100	3.95	1	570x270x170	4.80
MXST-02-50W	480x202x100	4.10	1	570x270x170	5.10
MXST-02-80W	560x202x100	5.60	1	690x270x170	6.70
MXST-02-100W	560x202x100	6.10	1	690x270x170	7.20
MXST-01-50W	494.5x350x100	7.28	1	520x410x170	8.30
MXST-01-100W	579.5x350x100	8.51	1	590x410x170	9.54
MXST-01-150W	664.5x350x100	9.74	1	720x410x170	10.96
MXST-01-200W	749.5x350x100	10.84	1	790x410x170	12.25
MXST-01-250W	834.5x350x100	12.20	1	860x410x170	13.70
MXST-01-300W	919.5x350x100	13.46	1	930x410x170	15.30
MXST-01-350W	1004.5x350x100	14.80	1	1016x410x170	16.90

This is current standard parameter, as technology improved, we keep right to improve above information.

Dimension drawing (mm)



Photometric data



Installation & maintenance warning

- ☆ Please strictly according the usage manual to ensure the security of product performance.
- ☆ Please make sure power-off during the process of installation and maintenance !
- ☆ Do not change or modify any parts of product without contact engineer from manufacturer.
- ☆ Please connect the lamp to an effective grounding system to make sure the safety.
- ☆ In order to avoid any danger, the cable or suspension wire must be removed and installed by manufacturer, technical service center or qualified worker.
- ☆ Dispose the lamp specially when the product is not longer use.
- ☆ Please use soft cloth with soap or neutral detergent to clean lamp. Please do not use alcohol or paint thinner !
- ☆ We keep the right to inform you if any change of product.